

Key Chain B Project

10/23/18

Brainstorm



Constraints

- + Needs to be at Max 3x2 inches
- + Needs to have loop for Key Ring
- + Needs to have one flat surface
- + Needs to have at least 1 Emboss
- + Needs to be at most 1/8 inches thick
- + Needs to be completed within 1 week of time.

Refined Problem

Red-Car Company needs Keychains made from their excess material.

Signature:

Rush Wilton

Date:

10/24/18

Disclosed to and understood by:

Moham Tolmachev

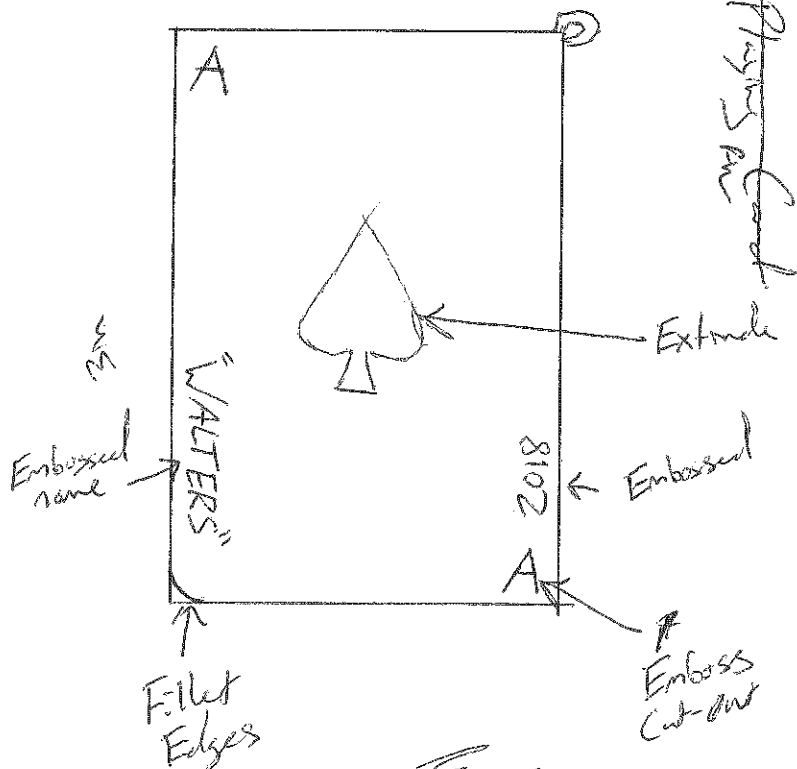
Date:

10/24/18

PROPRIETARY INFORMATION

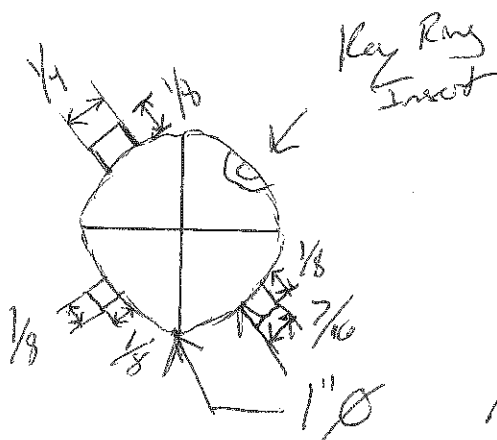
#1 ACE Playing Card

2.0



- + Filled Edges
- + Cut out / extend Spade + "A"
- + Necks to fit into jeans pocket

Rush Walters



- + Strong enough to fully turn screw without breaking
- + Multiple Multiple Sizes
- + Small but strong

Rush Walters

Signature:

Rush Walters

Date:

10/24/18

Disclosed to and understood by:

Matthew Tolmachev

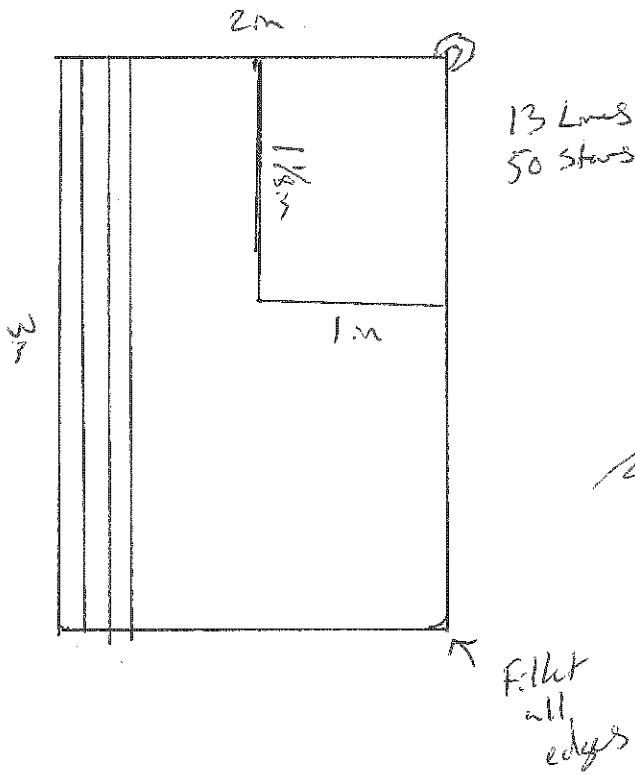
Date:

10/24/18

PROPRIETARY INFORMATION

#3 American Flag

10/23/18



+ Have each line at different levels of height

+ Emboss name and year on one of the lines

+ Create printing evenly spaced out

~~Curt Walker~~

Curt Walker

Signature:

Curt Walker

Date:

10/24/18

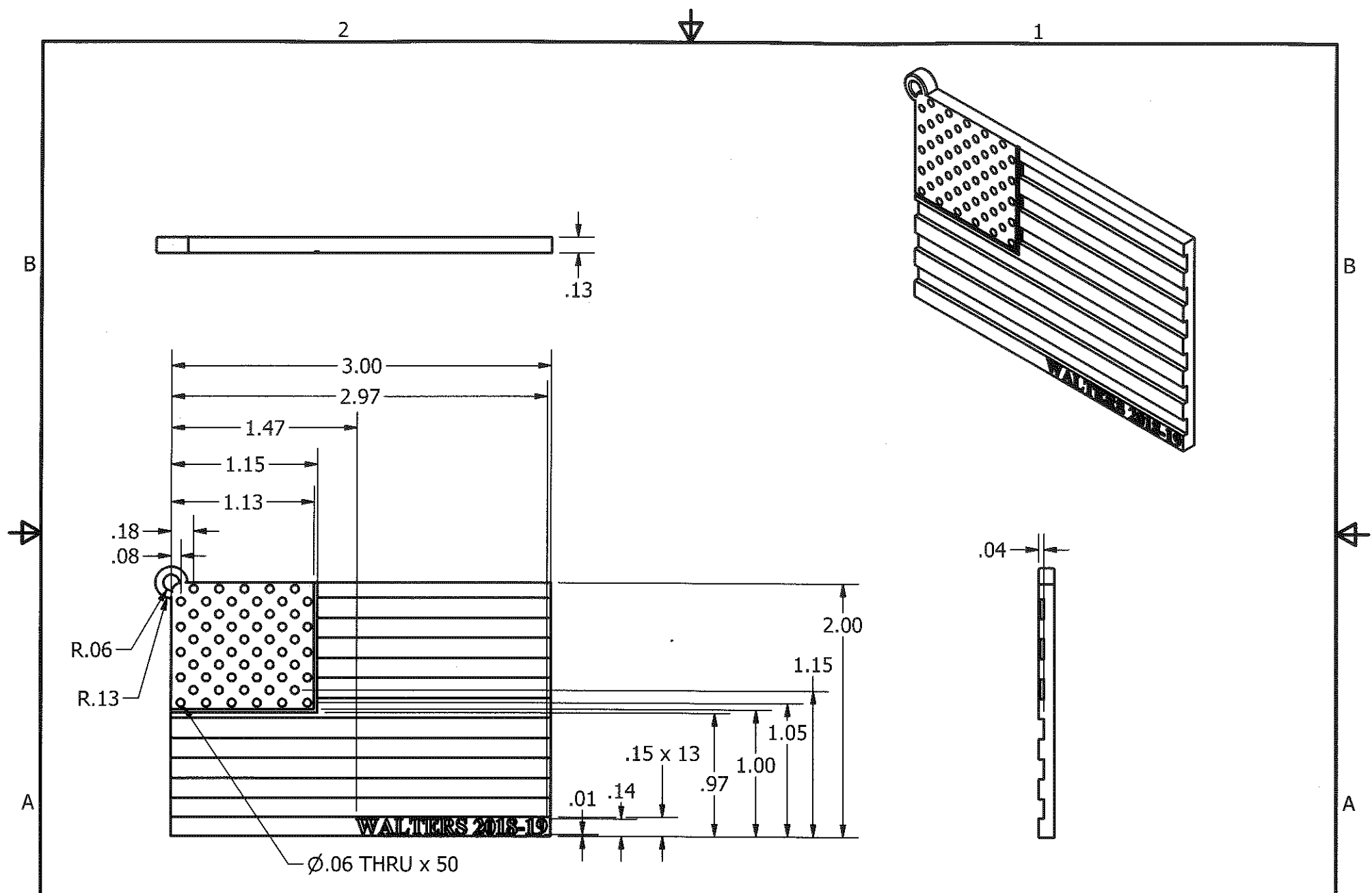
Disclosed to and understood by:

Matthew Tolmachev

Date:

10/24/18

PROPRIETARY INFORMATION



Mr. Walters

American Flag.ipt

10/23/2018

Smith-Cotton High School

HOUR

8